



ShushSky™

ShushSky™ is a lightweight soft glass fibre suspended ceiling tile offering outstanding levels of sound absorption and excellent resistance to high humidity. With a crisp clean white appearance, realise your design's potential, with a ceiling product that combines aesthetic appeal and enhanced acoustic performance.

What is ShushSky™?

ShushSky™ is a universally designed lightweight square suspended ceiling tile which sits inside a suspended ceiling grid system.

It's simple design offers a universal aesthetic appeal to any environment.

This product comes in a standard size of 600mm x 600mm x 15mm thick (modular size) with a white finish and square edges.

Because of its crisp fresh finish, and enhanced acoustic qualities, it is suitable for a variety of spaces such as offices, retail environments and class rooms.

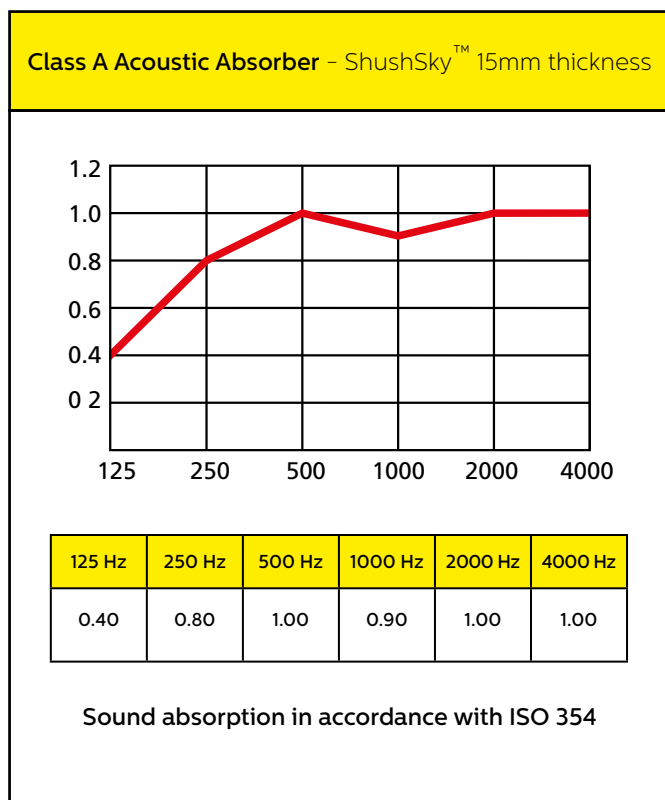
Key features of ShushSky™ acoustic tile:

Microporous plain white finish · Acoustic ceiling tiles with very high sound absorption – Class A · 95% relative humidity · Lightweight, easily demountable · A2 fire classification · Economical

Technical + Acoustic Performance

ShushSky™ offers **Class A sound absorption**, providing you with the highest class absorption rating. The tiles help to reduce reverberation times and enable compliance with Building Bulletin guidelines.

ShushSky™ suspended ceiling tile is suitable in conditions up to 100% relative humidity at 30°C.



CLEANING

The surface can be vacuum cleaned with a soft brush attachment. The surface can also be cleaned once a week using a sponge or cloth and warm water (max. 40°C) with a slightly alkaline detergent (max. pH 10) without alcohol, ammonia or chlorine. Cleaning with a damp sponge or cloth may render the surface slightly shinier and we therefore recommend cleaning the whole surface evenly for best results. A small area should be tested before cleaning the rest of the area to ensure that the facing is not adversely affected.



FIRE

Euroclass A2-s1, d0 in accordance with EN 13501-1.



CUTTING

ShushSky™ can be cut with a sharp Stanley knife.



WEIGHT

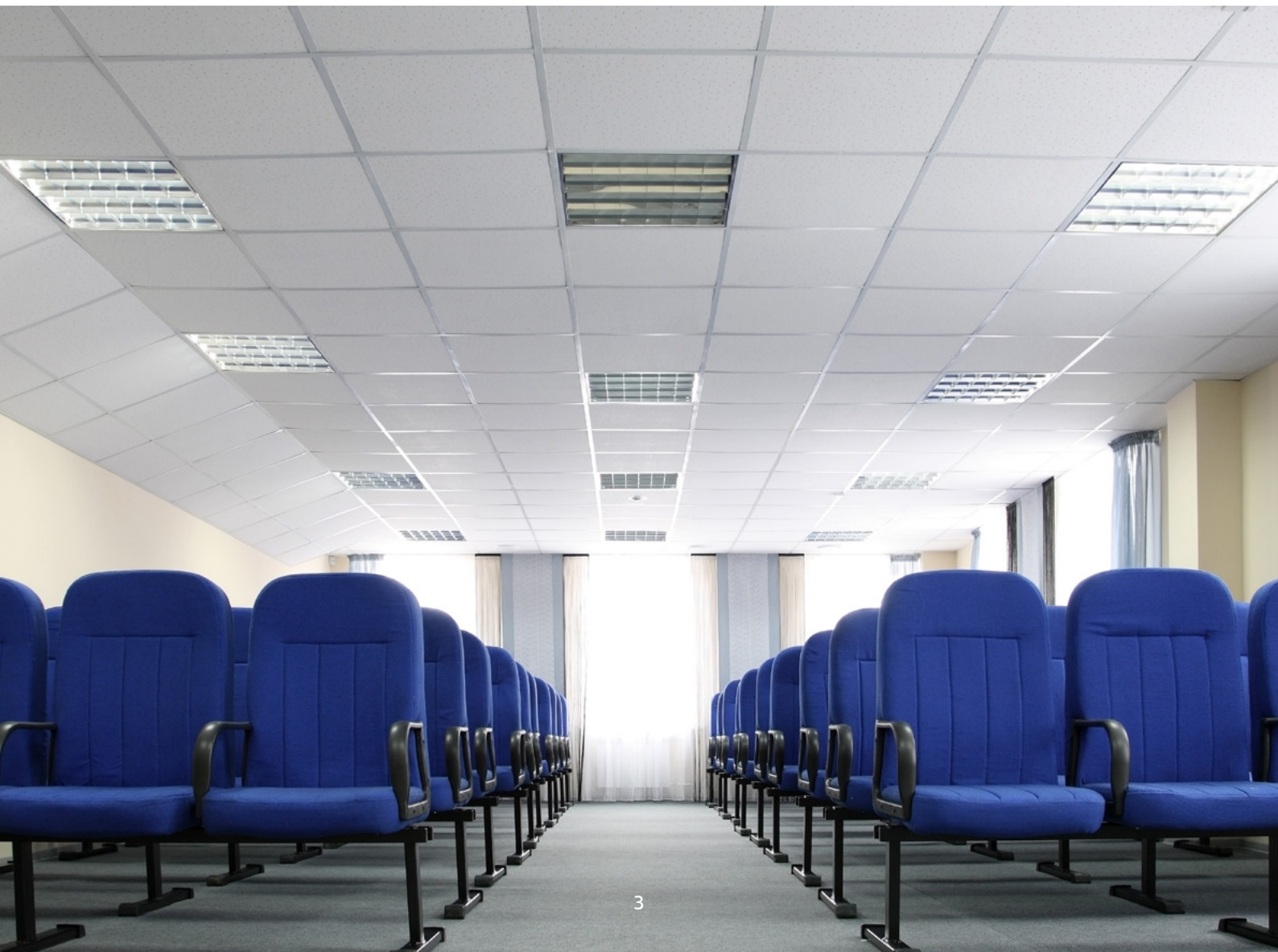
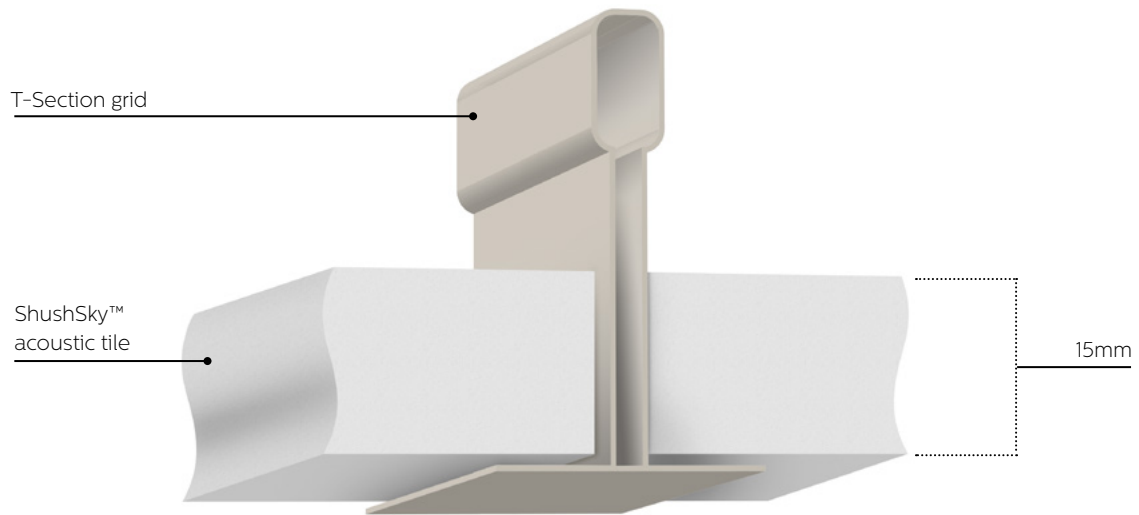
ShushSky™ tiles weigh approximately 2kg per m².

Installation

ShushSky™ suspended acoustic ceiling tiles are to be installed into a standard 24mm exposed T-section suspended ceiling grid profile.

The tiles are 600 x 600mm modular size with a square edge.

The thickness of the tile is 15mm.





Product Specification

1. Product

Install with the following components:

ShushSky™ suspended ceiling tiles in tile size of 600 x 600 x 15mm in white colour with a square edge finish.

2. Delivery, Storage & Handling

Protect ShushSky™ from excessive moisture when storing, and handling.

3. Installation

Install ShushSky™ in locations indicated edges level and in alignment with other tiles.

4. Cleaning

A. After completion of installation of tile, remove dust on tiles.

B. Remove surplus material, rubbish and debris resulting from tile installation on completion of the work and leave areas of installation in a neat and clean condition.

5. Supplier

ShushTile™ acoustic tile supplied by

SoundHush Ltd, Unit 2, Warren Barn Farm, Little Milton, Oxfordshire, OX44 7PR, United Kingdom

Tel: 01844 278 888 E. info@soundhush.com W. www.soundhush.com

